

PRODUCT SPECIFICATION SHEET

LARGE HAP V-HANGERS

3" HAP V-Hanger

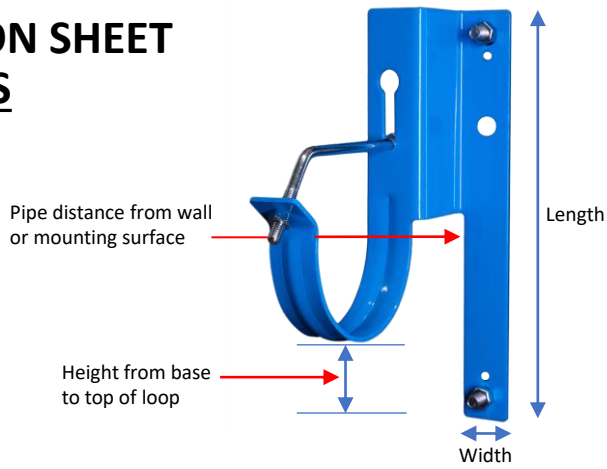
Model Number: PL-1111-V30

4" HAP V-Hanger

Model Number: PL-1111-V40

6" HAP V-Hanger

Model Number: PL-1111-V60



Model PL-1111-V30

Model PL-1111-V40

Model PL-1111-V60

Fits	3" PVC, SDR Pipe
	3" Copper, Cl, SS Pipe
Pipe distance from wall	2-3/4"
Material	10G LC Steel
Lockable Rod Assembly	Yes
Max Load	300 LBS
Length	10-3/4"
Width	3"
Height	7-1/4"
Metal Detection	Yes
Finish	Powder Coated
Outside wall	HAP Hanger can be mounted on any surface

Fits	4" PVC, SDR Pipe
	4" Copper, Cl, SS Pipe
Pipe distance from wall	2-1/4"
Material	10G LC Steel
Lockable Rod Assembly	Yes
Max Load	300 LBS
Length	10-3/4"
Width	3"
Height	7-3/4"
Metal Detection	Yes
Finish	Powder Coated
Outside wall	HAP Hanger can be mounted on any surface

Fits	6" PVC, SDR Pipe
	6" Copper, Cl, SS Pipe
Pipe distance from wall	1-1/4"
Material	10G LC Steel
Lockable Rod Assembly	Yes
Max Load	300 LBS
Length	10-3/4"
Width	3"
Height	8-1/2"
Metal Detection	Yes
Finish	Powder Coated
Outside wall	HAP Hanger can be mounted on any surface

- Durable powder coated finish for indoor or outdoor applications.
- Compatible with all types of pipe material.
- All HAP Hangers are concentric. For jobs that require pipe size reduction, pipes are always on center.
- Low carbon steel allows pipes to easily snap into the bracket during installation.
- Round edges for safe installation. No sharp edges.
- UPC – IAPMO Listed



Product Submittal	
Date:	
Job Name:	
Model Number	Quantity
Architect / Owner:	
Contractor:	
Notes	